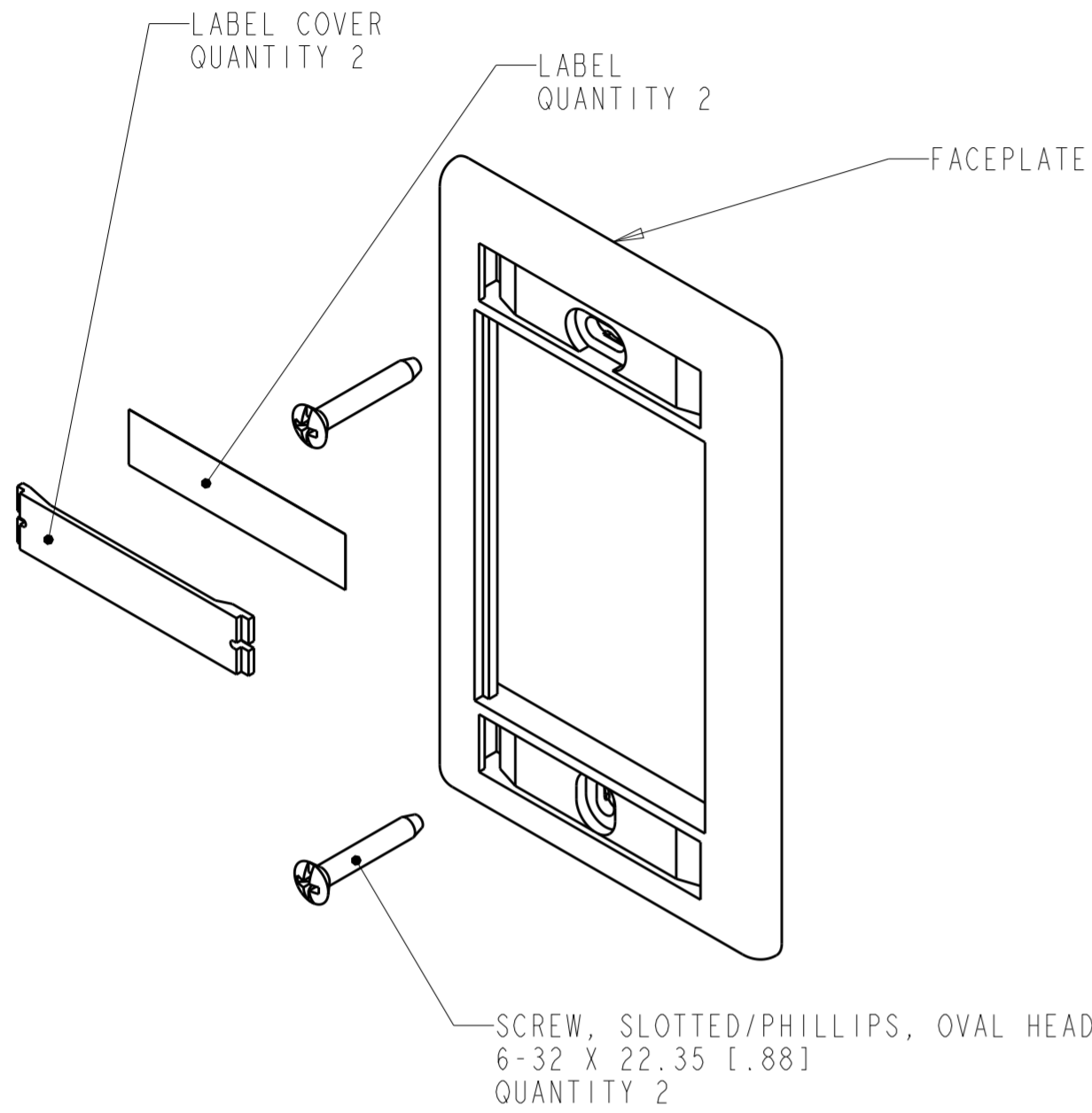


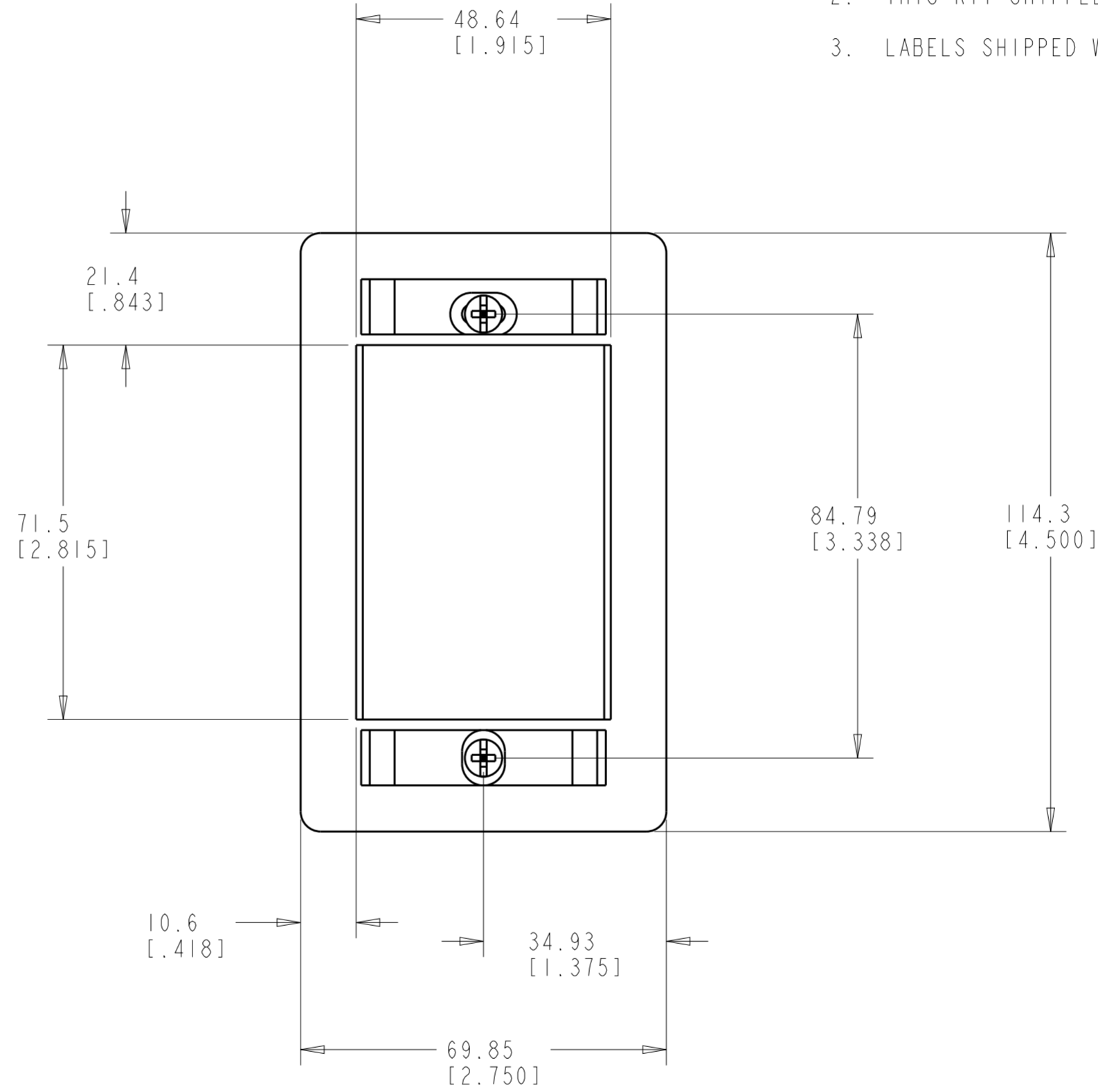
THIS DRAWING IS UNPUBLISHED. RELEASED FOR PUBLICATION
 © COPYRIGHT 20 BY - ALL RIGHTS RESERVED.

LOC	DIST	REVISIONS					
HM	00	P	LTR	DESCRIPTION	DATE	DWN	APVD
		B		ECO-13-005468	03APR2013	JM	RA
		C		REV; ECO-15-003155	19MAY2015	GG	RA



⚠ MATERIAL: FACEPLATE - POLYCARBONATE MOLDING COMPOUND.
 SEE TABLE FOR COLOR.
 LABEL COVERS - POLYCARBONATE MOLDING COMPOUND.
 LABELS - WHITE INDEX PAPER.
 SCREWS - ZINC PLATED CARBON STEEL.

- THIS KIT SHIPPED NOT ASSEMBLED.
- LABELS SHIPPED WITH KIT, NOT SHOWN.



ALPINE WHITE	I-1339118-3
LT ALMOND	1339118-1
COLOR	PART NO

THIS DRAWING IS A CONTROLLED DOCUMENT.		DWN R. MARTIN 30SEP99	TE Connectivity	
DIMENSIONS: mm (INCHES)		CHK R. MARTIN 09NOV99	NAME KIT, FACEPLATE SINGLE GANG, SL SERIES	
TOLERANCES UNLESS OTHERWISE SPECIFIED:		APVD R. MARTIN 09NOV99	PRODUCT SPEC	
0 PLC ±	1 PLC ±	APPLICATION SPEC	SIZE	CAGE CODE
2 PLC ±.25	3 PLC ±	408-8398	A2	00779
4 PLC ±	ANGLES ±	WEIGHT	DRAWING NO	RESTRICTED TO
FINISH		-	C-1339118	-
MATERIAL		Customer Drawing	SCALE	SHEET OF REV
				C